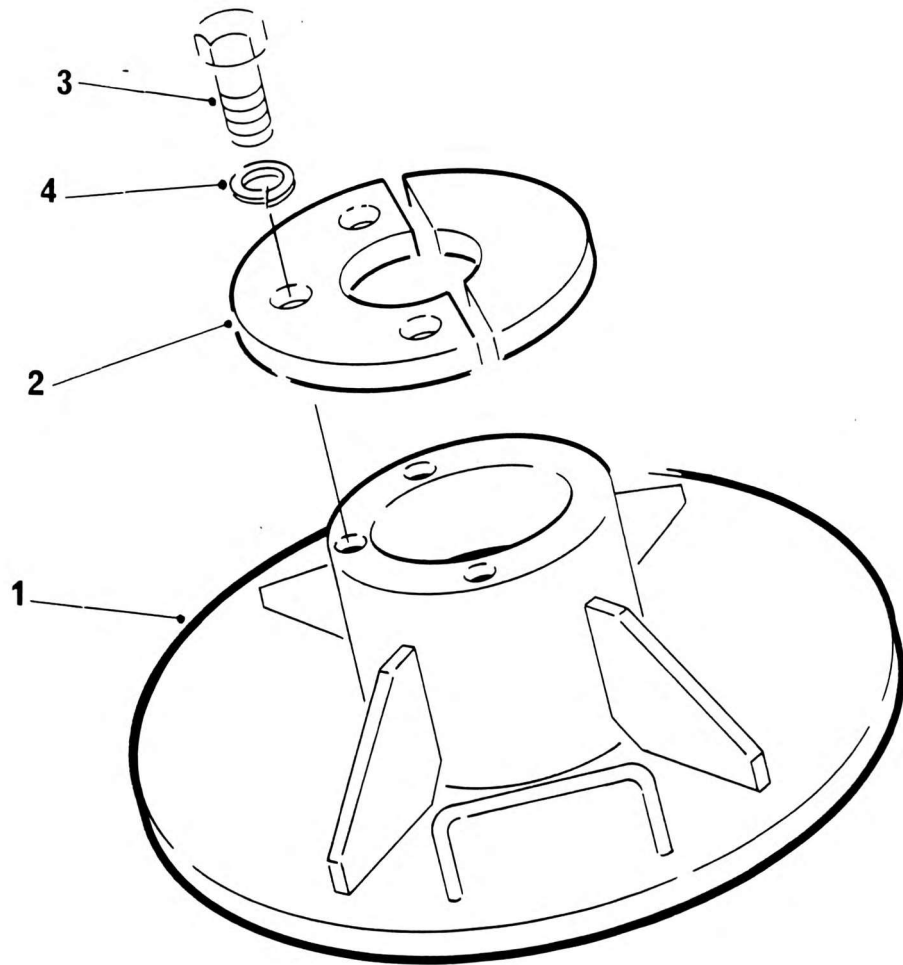


OUTRIGGER FLOAT ASSEMBLY



NO.	PART NO.	QTY.	DESCRIPTION	NO.	PART NO.	QTY.	DESCRIPTION
1	6-458-990082	1	Outrigger Float Weld Assy				
2	6-705-997113	1	Plate Outrigger Float				
3	7045301	3	Screw M10 x 30 Long				
4	7067212	3	Washer Spring M10				